



## Yuasa Technical Data Sheet

### Yuasa M27-90S - Marine Batteries

#### Performance

Voltage	12V
Capacity (20-hour)	90Ah
Cold Cranking Amps (EN1)	720A
Marine Cranking Amps (MCA)	860A
Watt Hour	1080Wh

#### Dimensions

Length	304mm
Width	173mm
Height	225mm



#### Weights & Measures

Mean Weight with Acid	21.2kg
-----------------------	--------

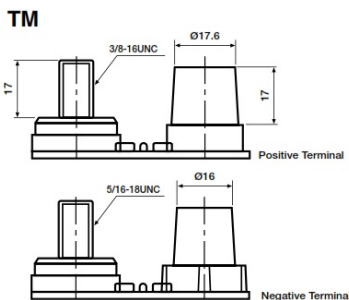
#### Container Features

Case Type	GR27 BCI
Cell Layout	1
Hold Down	B1
State of Charge Indicator	✓
Handles	✓
End Venting	✓
Semi-Traction Features	✓
Lid Type	SMF Double Lid

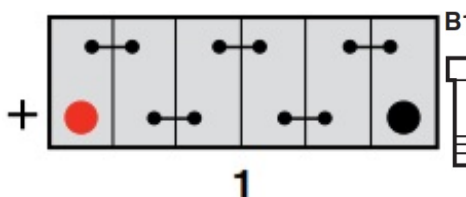
#### Technology

Flame Arrestor	✓
Technology	Ca/Ca
Separator	PE
Recommended Charge Rate	5A

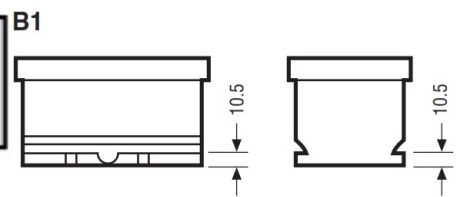
#### Terminal Type



#### Cell Assembly Layout



#### Battery Hold-down



Data Sheet generated on 17/03/2025 - E&OE